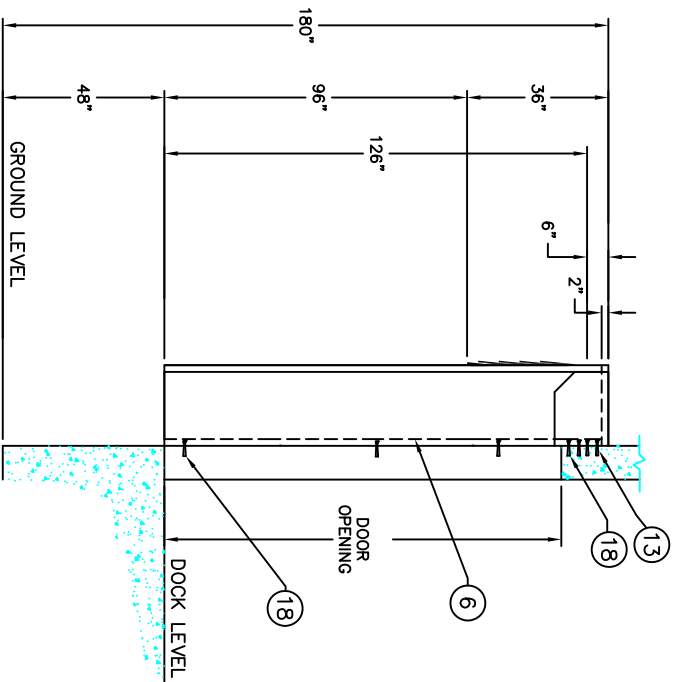
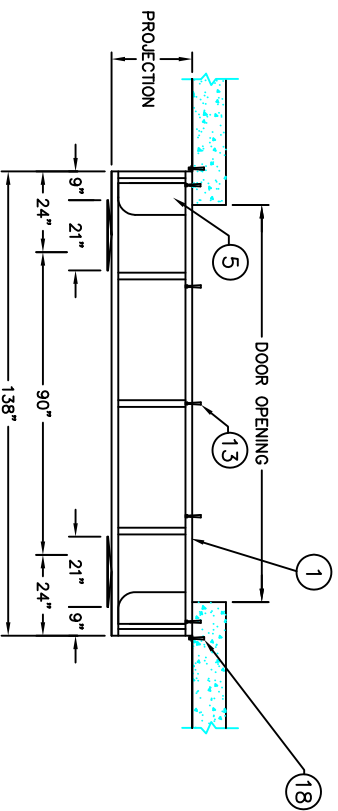


1 STANDARD UNIT DETAIL
ISOMETRIC VIEW
N.T.S.



2 STANDARD UNIT DETAIL
SIDE VIEW
SCALE: 1" = 1'-0"

No.	DESCRIPTION
1	WOOD HEAD FRAME (PRESSURE TREATED)
2	HEAD CURTAIN
3	VERTICAL BASE PAD
4	VELCRO ATTACHMENTS
5	BOTTOM DRAFT PAD
6	WOOD BACK BOARD - KILN DRIED
7	STAYS
8	U.V. NAT. POLYETHYLENE - TOP
9	FOAM FILLED EDGE STIFFENER
10	REMOVABLE SIDE CURTAIN
11	DOUBLE LAYER OF FABRIC x 24" HIGH
12	4" x 24" SLEEVE ANCHOR
13	3/8" x 3" SLEEVE ANCHOR
14	SIDE SUPPORT BRACKET - GALVANIZED
15	RETENTION STRAP
16	FLAT BRACKETS
17	ANGLE BRACKETS
18	3/8" x 1 7/8" SLEEVE ANCHORS
19	CLUSSETS



3 STANDARD UNIT DETAIL
PLAN VIEW
SCALE: 1" = 1'-0"

NOTES: 1) ALL DIMENSIONS ARE STANDARD AND IN IMPERIAL SYSTEM.
2) UNITS CAN BE MANUFACTURED TO SUIT.
3) DRAWINGS NOT TO BE SCALED.

LDC	
SERIES	D-600-CLUSSETS
TITLE:	FOAM FRAME SHELLTER
DISTRIBUTED BY	

REV.#	DATE	DESCRIPTION	BY

DATE: 08/22/07	SHEET 1 OF 1	DWG.# D-600	REV.0
----------------	--------------	-------------	-------