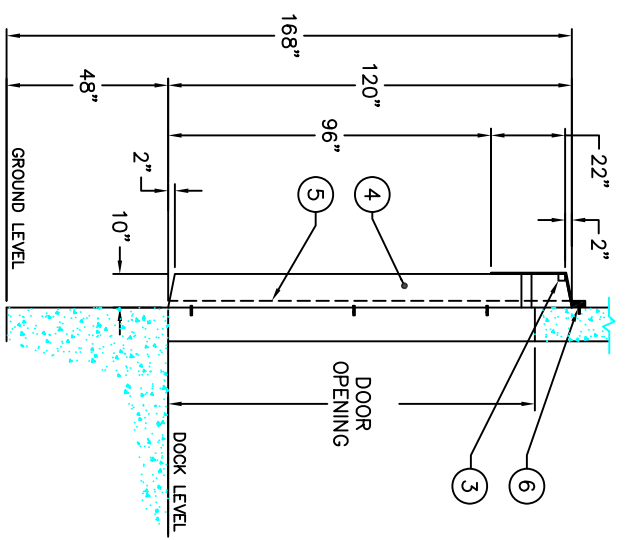


1 STANDARD UNIT DETAIL
ISOMETRIC VIEW
N.T.S.

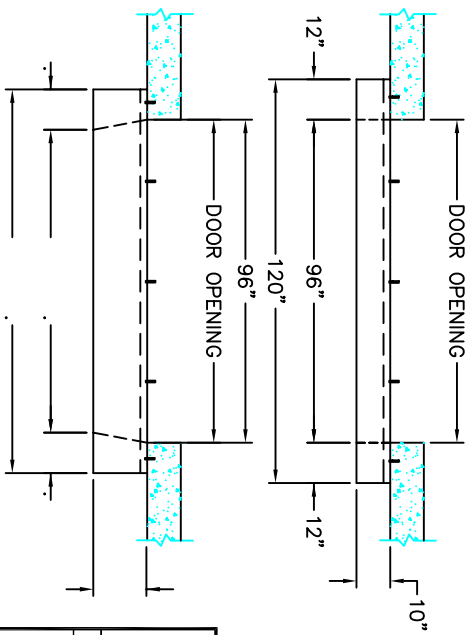
No.	DESCRIPTION
1	ADJUSTABLE HEAD CURTAIN
2	CURTAIN HOLD BACK STRAP
3	SQUARE TUBE CURTAIN SUPPORT
4	SIDE PAD
5	WOOD BACKBOARD - KILN DRIED
6	2" x 4" MOUNTING BOARD (OPTIONAL FLAT BAR)
7	FLAT BRACKET
8	4" x 24" YELLOW GUIDE STRIPE
9	ANGLE BRACKET
10	3/8" x 1-7/8" SLEEVE ANCHOR
11	PULLEYS
12	6" ALUMINUM ROPE CLEAT
13	SEALING EDGE
14	CURTAIN RETRACTION CORD

5 STANDARD UNIT DETAIL
PLAN VIEW
SCALE: 1" = 1'-0"

6 VARIABLE WEDGE UNIT
PLAN VIEW
SCALE: 1" = 1'-0"

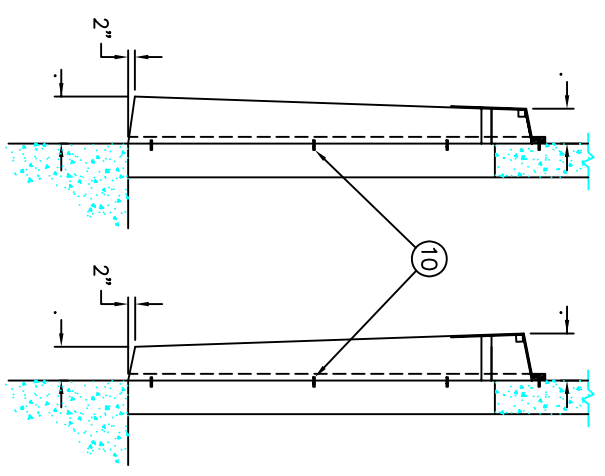


2 STANDARD UNIT DETAIL
SIDE VIEW
SCALE: 1" = 1'-0"



3 TAPERED UNIT
DECLINE
SCALE: 1" = 1'-0"

4 TAPERED UNIT
INCLINE
SCALE: 1" = 1'-0"



NOTES:
 1) ALL DIMENSIONS ARE STANDARD AND IN IMPERIAL SYSTEM.
 2) UNITS CAN BE MANUFACTURED TO SUIT.
 3) DRAWINGS NOT TO BE SCALED.

LDC	
SERIES	D-200-ADJUSTABLE CURTAIN
TITLE:	ADJUSTABLE HEAD CURTAIN DOCK SEAL
DISTRIBUTED BY	
DATE: 02/20/07	SHEET 1 OF 1
REV.#	DATE
DESCRIPTION	BY
DWG.#-D-200-A1 REV. 0	